

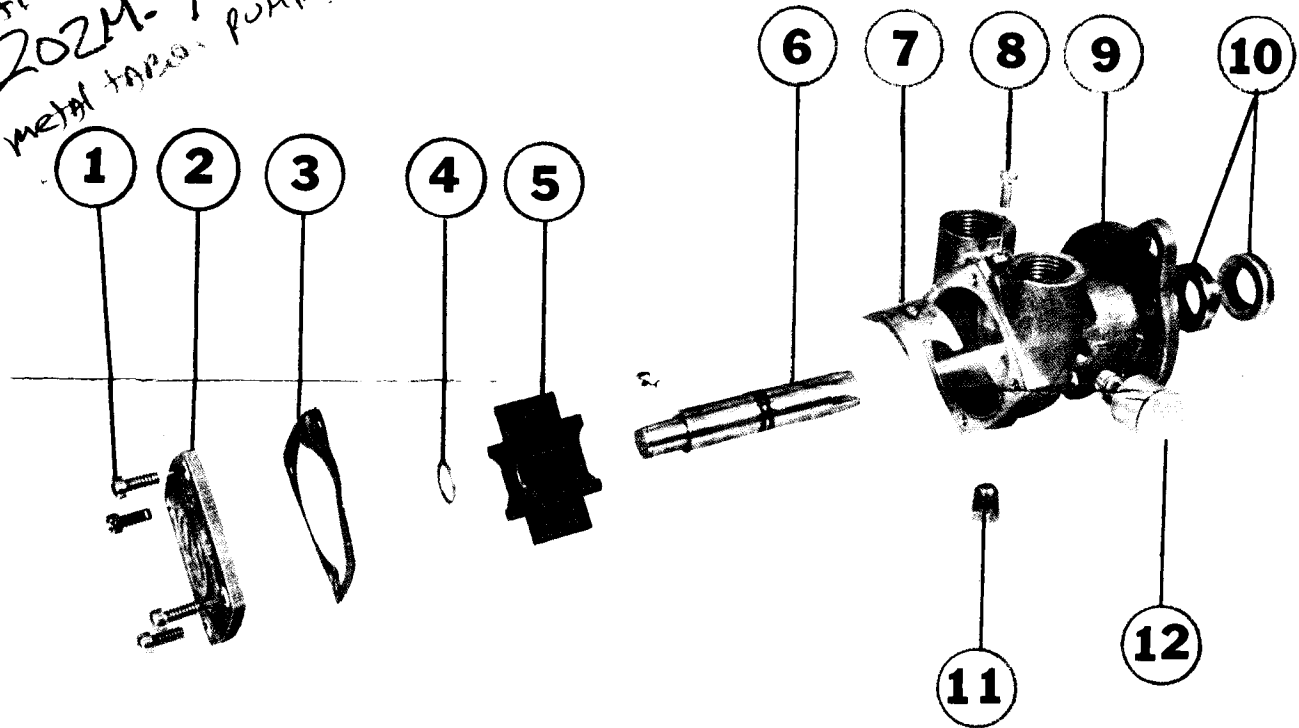
**MODEL  
202M  
202M-3**

**OBERDORFER**

**BRONZE**

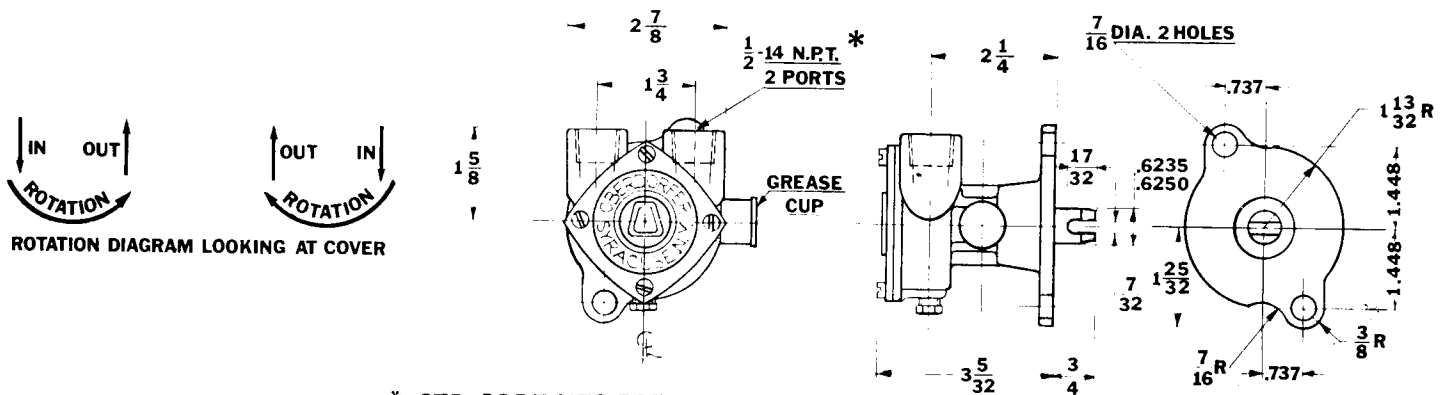
**RUBBER IMPELLER PUMP**

*Pump on  
Boat is  
202M-7  
(from metal tapew. pump)*



REPAIR KIT NO. INCLUDES SHADED PARTS	PUMP NO.	1	2	3	4	5	6	7	8	9	10	11	12
		SCREW	COVER	GASKET	SNAP-RING	IMPELLER	SHAFT	CAM	SCREW-CAM	BODY	SEAL	PLUG	GREASE CUP
		2 Req'd	1 Req'd	1 Req'd	1 Req'd	1 Req'd	1 Req'd	1 Req'd	1 Req'd	1 Req'd	2 Req'd	1 Req'd	1 Req'd
10725	202M	A5385	B6597	A6599	A5373	B6593	B6598	B6592	A7300	C6595	A5463	A6600	A5910
10725	202M-3	A5385	B6597	A6599	A5373	B6593	B6598	B6891	A7300	C6892	A5463	A6600	A5910

**DIMENSION DRAWING**



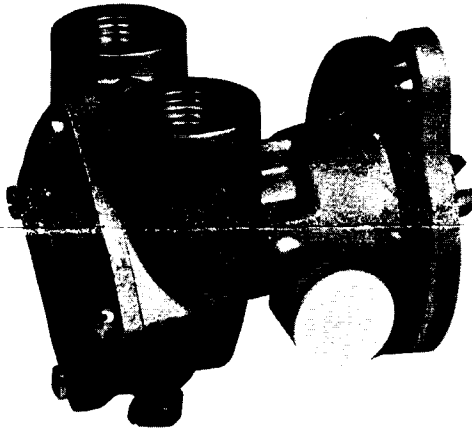
\* STD. PORT SIZE FOR MODEL 202M  
STD. PORT SIZE FOR MODEL 202M-3 IS 3/8 - 18 N. P. T



# OBERDORFER BRONZE RUBBER IMPELLER PUMP

20 M

PIPE SIZE 1/2



Model 202M-3 engine mounted unit specifically for UNIVERSAL MARINE ENGINE.

## FEATURES

- Rugged Simplicity
- Low Cost
- Bronze Construction—Corrosion Resistance
- Drain Plug
- 2 Bolt Flange Mounting
- Slotted Shaft Drive
- 2 Separate Seals:  
Main Pump & Flange Mounting
- "Up" Direction In & Out Ports
- Large Vent & Drain Openings  
Separate Pump Seal & Flange Seal
- New 368J Impeller Compound
- High Chrome Nickel Stainless Steel Shaft
- Impeller & Cam Easily Replaced

## CAPACITY Water at 60°F

PUMP	RPM	FT. HD.	0	10	20	30	40	50	60
		PSI	0	4.3	8.7	13.0	17.3	21.7	26.0
202M	1750	GPM	6 1/2	6 1/4	6	5 1/2	4 3/4	4	2 3/4
		HP	1/3	1/3	1/3	1/3	1/3	1/3	1/3
	2500	GPM	9 1/2	9 1/4	9	8 1/4	7 1/2	6 1/2	5 1/4
		HP	1 1/2	1 1/2	1 1/2	1 1/2	1 1/2	1 1/2	1 1/2
	3500	GPM	12 1/2	12 1/4	11 1/2	11	10	9	8
		HP	3/4	3/4	3/4	3/4	3/4	3/4	3/4
202M-3	1750	GPM	3 3/4	3 1/4	2 1/2	2	1		
		HP	1/3	1/3	1/3	1/3	1/3		
	2500	GPM	6 1/2	6	5 1/2	4 1/2	3 1/2	2	1/4
		HP	1/2	1/2	1/2	1/2	1/2	1/2	1/2
	3500	GPM	9 1/4	8 3/4	8 1/4	7	5 1/2	4	1 3/4
		HP	3/4	3/4	3/4	3/4	3/4	3/4	3/4

RPM—REVOLUTIONS PER MINUTE  
GPM—GALLONS PER MINUTE  
PSI—LBS. PER SQUARE INCH PRESSURE  
FT. HD.—FEET HEAD PRESSURE

## ROTATION

Direction of shaft rotation determines inlet and outlet ports (see line dimension drawing). Prior to installation, rotate the pump manually in direction of rotation to set flexible blades in direction desired.

## DO NOT RUN DRY

Rubber impellers generate high rubbing friction unless lubricated by liquid pumped. Lack of liquid will cause impeller to burn up.

## LIQUIDS AND TEMPERATURE

Liquids compatible with neoprene can be pumped including fresh and salt water solutions and mild chemicals. Do not pump severe solvents or acids. When possible flush pump with fresh water after each usage.

Extremes of cold and heat will affect impeller life. Limits of 40° to 140° F should be observed. Do not allow liquid in pump to freeze. Drain pump by removing drain plug provided. Located at bottom of pump body.

## SUCTION LIFT

Suction lift of 15 ft. is possible when impeller is wet. Suction lines must be air tight in order for pump to self prime.

OBERDORFER PUMP DIVISION • SYRACUSE, NEW YORK 13221 • PHONE (315) 437-0361

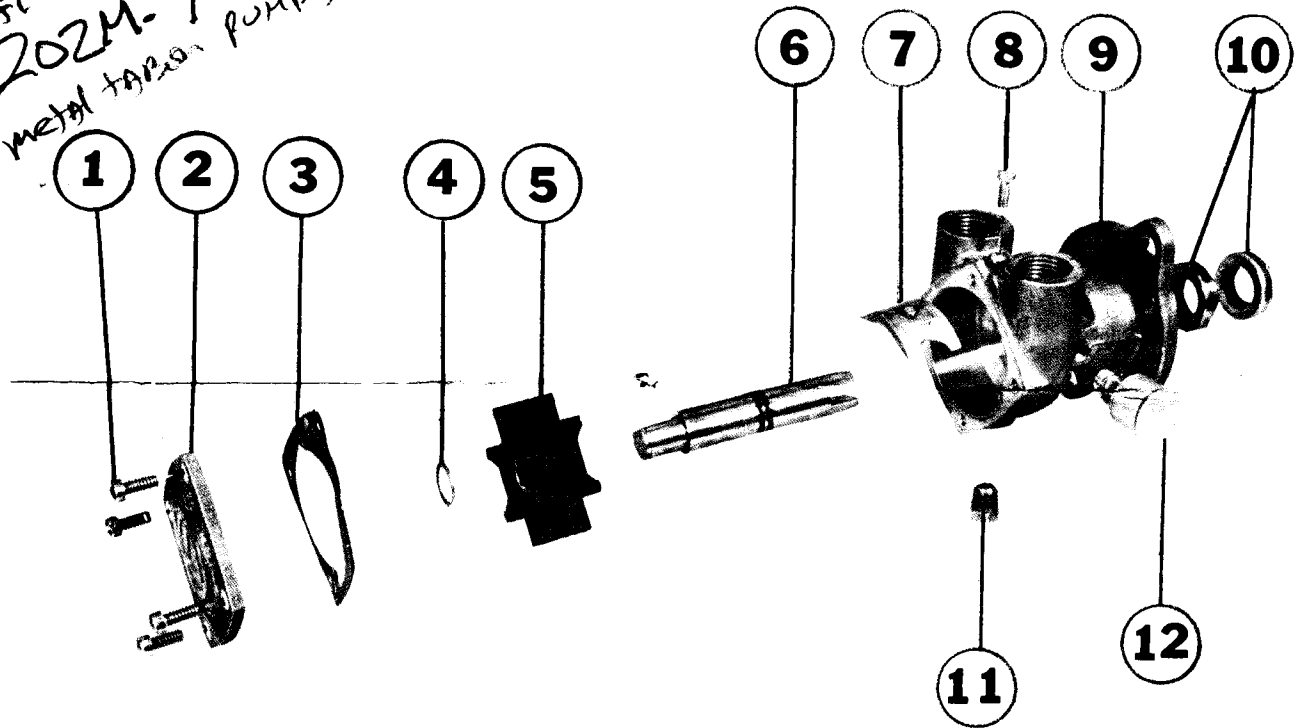
**MODEL  
202M  
202M-3**

**OBERDORFER**

**BRONZE**

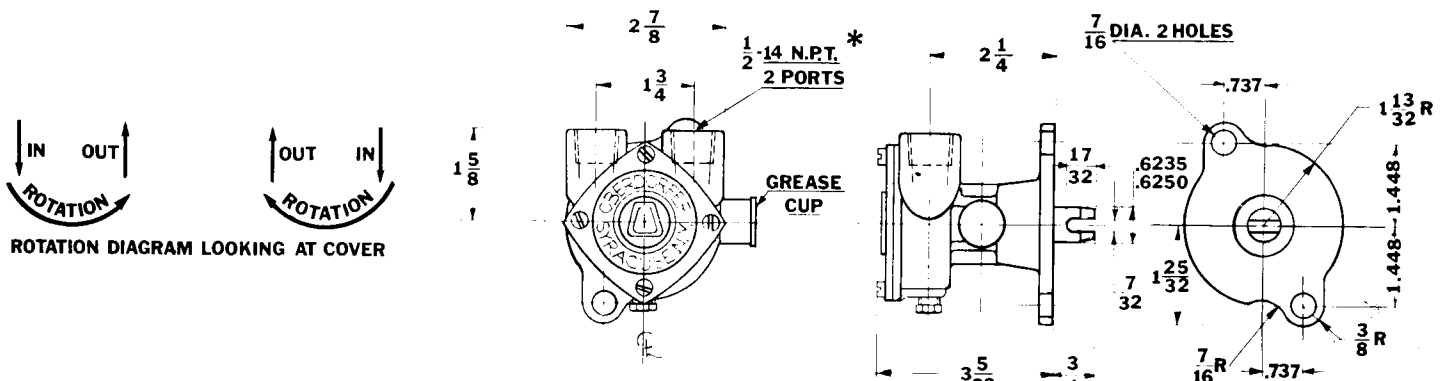
**RUBBER IMPELLER PUMP**

*Pump on  
BSAT 15  
202M-7  
(from metal tapcon pump)*



REPAIR KIT NO. INCLUDES SHADED PARTS	PUMP NO.	1	2	3	4	5	6	7	8	9	10	11	12
		SCREW	COVER	GASKET	SNAP-RING	IMPELLER	SHAFT	CAM	SCREW-CAM	BODY	SEAL	PLUG	GREASE CUP
		2 Req'd	1 Req'd	1 Req'd	1 Req'd	1 Req'd	1 Req'd	1 Req'd	1 Req'd	1 Req'd	2 Req'd	1 Req'd	1 Req'd
10725	202M	A5385	B6597	A6599	A5373	B6593	B6598	B6592	A7300	C6595	A5463	A6600	A5910
10725	202M-3	A5385	B6597	A6599	A5373	B6593	B6598	B6891	A7300	C6892	A5463	A6600	A5910

**DIMENSION DRAWING**



\* STD. PORT SIZE FOR MODEL 202M  
STD. PORT SIZE FOR MODEL 202M-3 IS 3/8 - 18 N. P. T